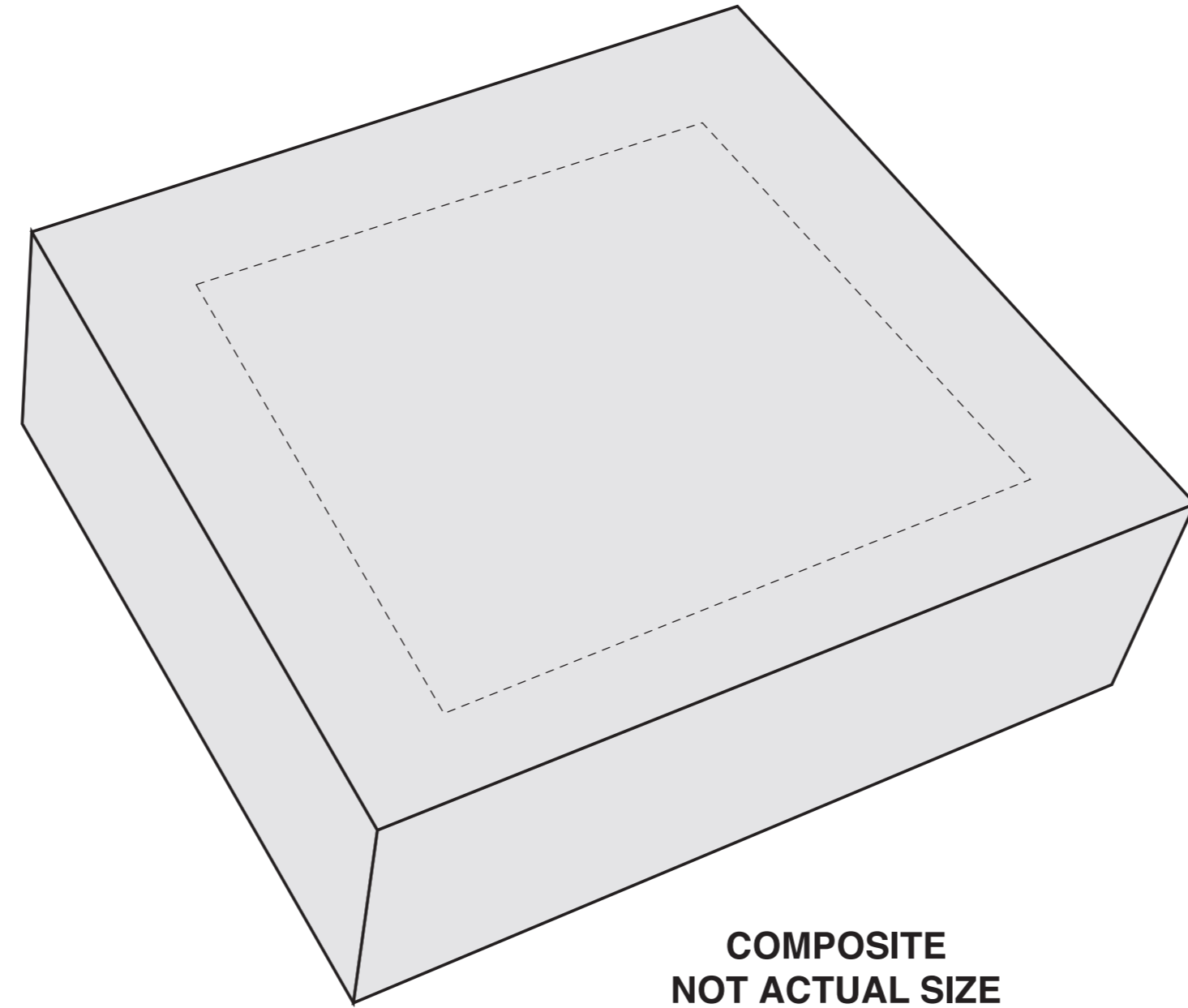
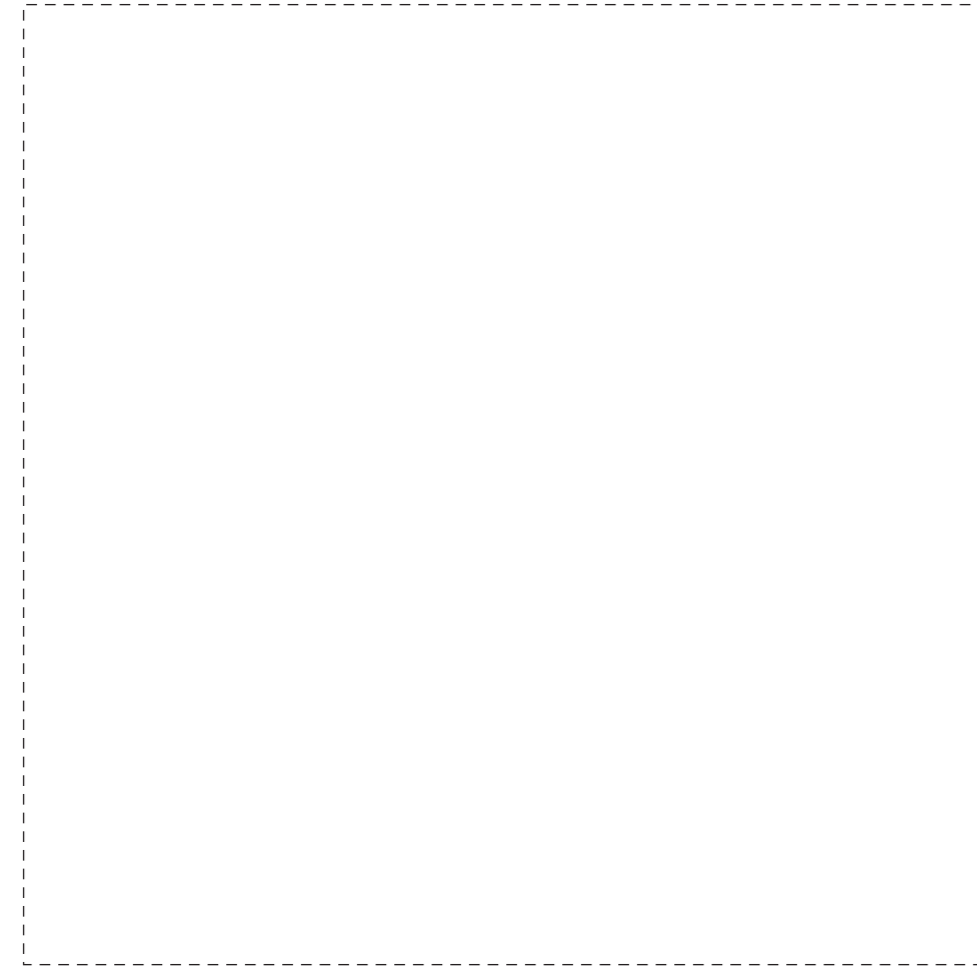


F.P.O.

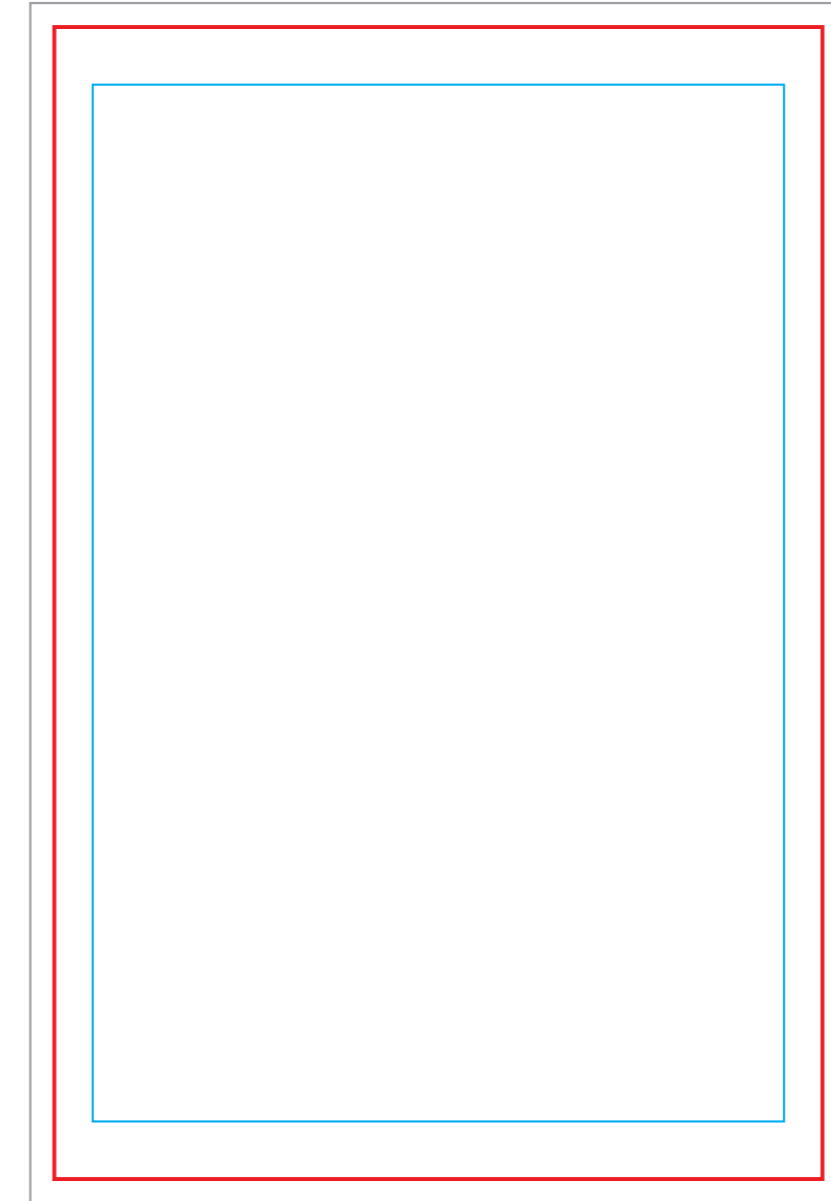


**COMPOSITE
NOT ACTUAL SIZE**

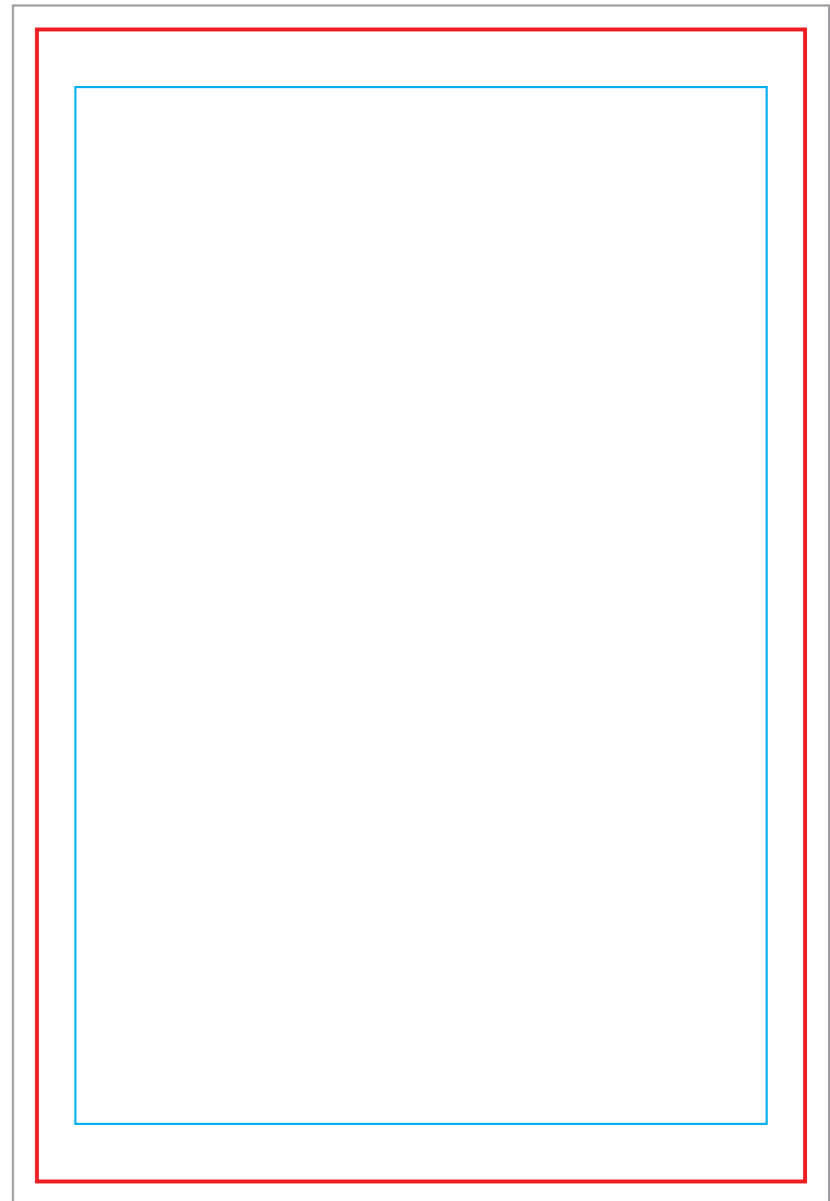
#4x6_Card

- Live Imprint Area
- Bleed Line
- - - Cut Line

FRONT



BACK



PLEASE NOTE:
Proof approvals are solely the customer's responsibility, we are not responsible for typos.
Please review artwork carefully, HIT will not be responsible if wrong artwork is approved.
credits/redos will not be honored!